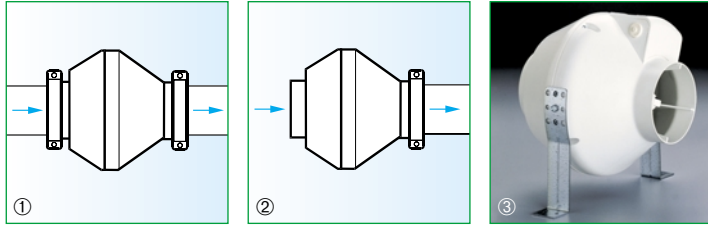


CA V0 RANGE WITH LL MOTOR

LONG LIFE

30.000 h



- For ventilation of pubs, restaurants, shops, workshops, offices, sports halls and canteens.
- Seven models.
- 2 speed motors (100/125/150).
- IMQ information label certifies third party product data and performance.
- Complies with the CEI EN 60335-2-80 standard.
- Splash proof protection.
- Complete with fixing bracket.

Awards

Honourable mention,
1994 Golden Compass, Italy



Wiring diagrams shown on page XXX.

Design: F. Trabucco and M. Vecchi



- ① Installation with duct intake and outlet.
- ② Installation with free intake and duct outlet.
- ③ New: mounting brackets included

Supply and install a CA-V0 in-line centrifugal extract fan for installation within duct applications or in ceilings as manufactured exclusively by Vortice only for Vortice. All performance data should be third party IMQ (BEAB recognised equivalent) verified. The frame and body should be manufactured from V0 plastic to provide maximum self-extinguishing properties. The intake port should have an integral protection grille and a special grease collector.

The motor should be a stainless steel ball bearing, shielded pole motor (30,000-hour guarantee), include a thermal cut out device, be capable of operating at an ambient temperature up to 50°C and be speed controllable (using an optional controller). The fan turbine should be balanced directly onto the motor. Model should be available in 100mm, 125mm, 150mm (dual speed), 200mm, 250mm and 315mm sizes (single speed), designed to fit standard duct diameters.

Product	Code	V	Hz	W	A	Rpm	Delivery		P max		Lp dB(A) 3 m	Approvals	kg	Insulation	Protection	°C max
							m ³ /h	l/s	mm H ₂ O	Pa						
CA 100-V0 D	16008	220-240	50	85 65*	0.38 0.32*	2540 1660*	235 150*	65.3 41.7*	40 30*	392 274*	56 51*		2.4	cl.II	X4	50
CA 125-V0 D	16018	220-240	50	85 67*	0.40 0.34*	2470 1480*	360 210*	100 58.3*	36 25*	353 245*	56 45*		2.3	cl.II	X4	50
CA 150-V0 D	16028	220-240	50	85 70*	0.41 0.34*	2390 1400*	500 280*	138.9 77.8*	34 20*	333 196*	56 44*		2.6	cl.II	X4	50
CA 200-V0	16045	220-240	50/60	180	0.83	2660	870	241.7	58	568	64		4	cl.II	X4	55
CA 200-V0 Q	16035	220-240	50/60	100	0.35	2290	700	194.4	37	363	59		3.1	cl.II	X4	50
CA 250-V0	16055	220-240	50/60	200	0.9	2460	1130	313.9	58	568	64		4.3	cl.II	X4	55
CA 315-V0	16065	220-240	50/60	200	0.9	2560	1250	347.2	56	549	67		5.1	cl.II	X4	55

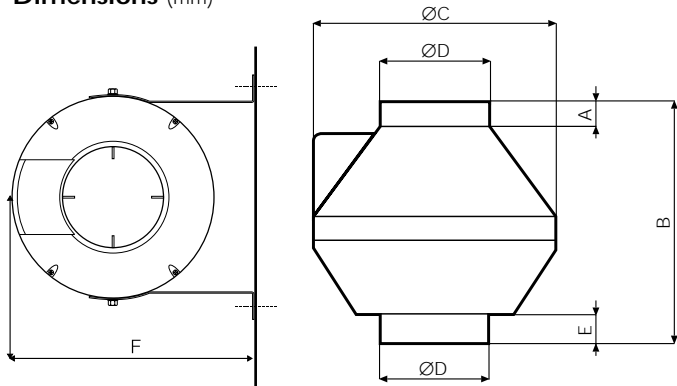
Conforms with ISO 3744 for noise and pressure levels

* max/min



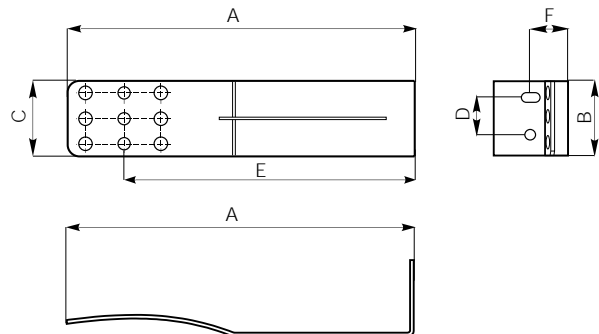
- ❶ Ball-bearing-mounted motor (30,000 h of guaranteed continuous operation).
- ❷ Turbine fan balanced directly on motor.
- ❸ Thermal overload protector.
- ❹ VO resin plastic frame with maximum self-extinguishing properties.
- ❺ Standard diameters. 150mm dia. model can also be adapted to 160 mm dia. tubes.
- ❻ Special "grease-collector".
- ❼ Safety grille on intake port.

Dimensions (mm)



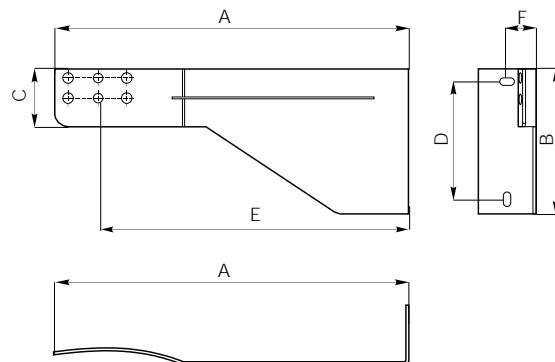
CA V0	A	B	Ø C	Ø D	E	F
100 D	30	250	250	97	30	281
125 D	30	250	250	122	30	281
150 D	30	305	300	147/157	30	306
200	30	280	340	197	30	385
200 Q	30	280	340	197	30	385
250	30	305	340	247	55	385
315	40	340	400	312	75	415

Galvanised sheet-metal brackets (100-125-150)



	A	B	C	D	E	F
Bracket	186	40	40	20	156	10

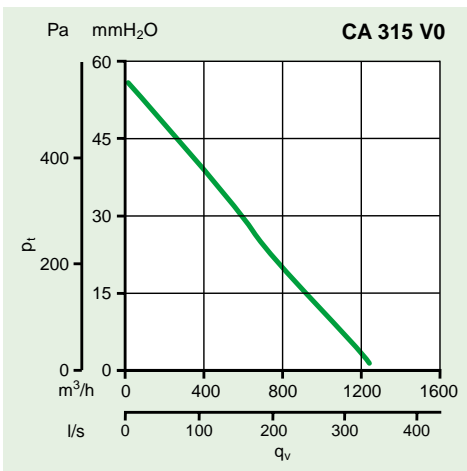
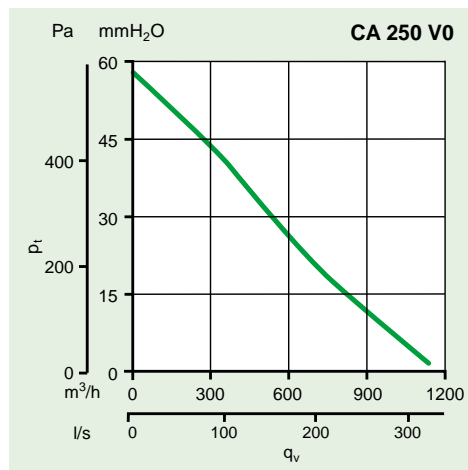
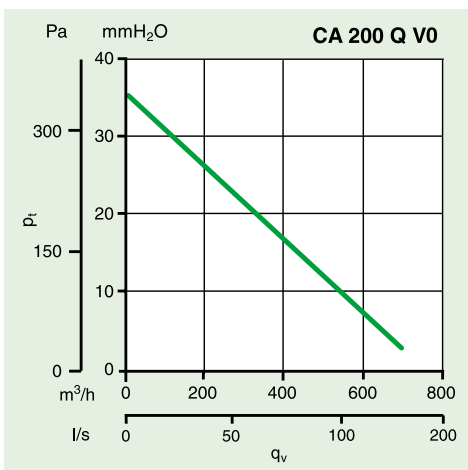
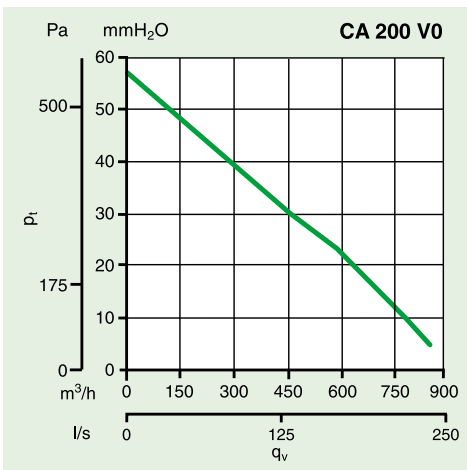
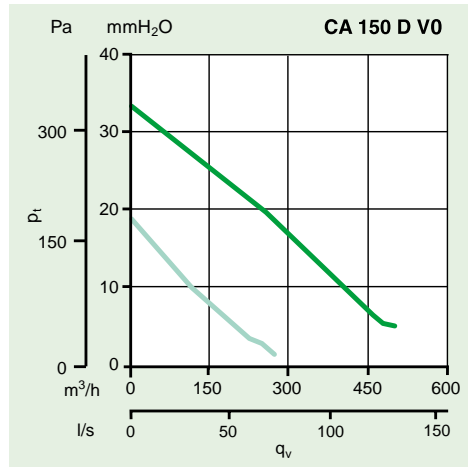
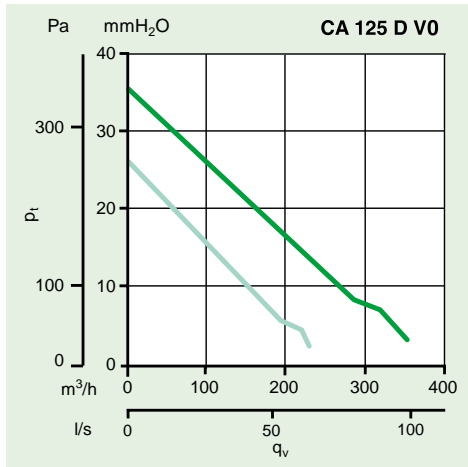
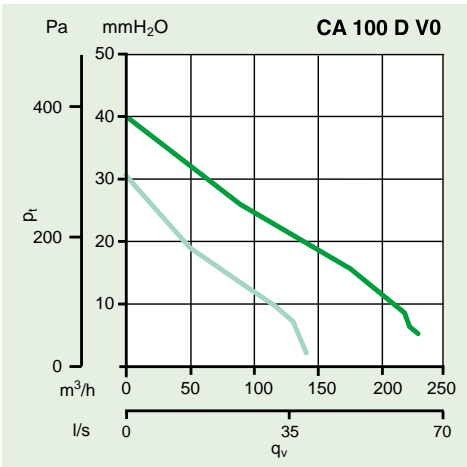
Galvanised sheet-metal brackets (200-250-315)



	A	B	C	D	E	F
Bracket	245	100	40	80	215	10

IN-LINE, CENTRIFUGAL EXTRACTOR FANS IN SELF-EXTINGUISHING V0 PLASTIC WITH IPX4 PROTECTION FOR DUCTED INSTALLATION

Pressure/performance curves



Octave Band (Hz)

CA-VO	Code	63	125	250	500	1000	2000	4000	8000
CA 100 VO D*	16008	43.6	54.4	69.3	64.0	65.2	63.1	60.0	53.1
CA 125 VO D*	16018	47.2	54.6	69.0	65.8	66.2	63.0	59.8	52.3
CA 150 VO D*	16028	44.6	52.6	66.1	62.9	65.8	63.0	61.9	51.7
CA 200 VO	16045	53.3	58.2	69.8	67.7	70.3	72.1	68.1	65.0
CA 200Q VO	16035	45.8	49.0	67.0	67.0	69.3	68.0	64.1	52.6
CA 250 VO	16055	56.5	61.0	67.0	69.6	77.0	72.0	67.2	64.1
CA 315 VO	16065	52.5	56.5	67.8	72.0	76.0	72.4	70.2	65.0

* max speed

TÜV CERTIFICATION

The measurements of the sound power have been carried out according to international standard EN-UNI 27779 / ISO-7779 / ISO-3741 / ISO-9296.

IN-LINE, CENTRIFUGAL EXTRACTOR FANS IN SELF-EXTINGUISHING V0 PLASTIC WITH IPX4 PROTECTION FOR DUCTED INSTALLATION

SCNR (code 12912*)



Electronic speed controller (description and data on page 91).

*Upon stock depletion

SCB Kit (code 22481) SCB5 (code 22483)



Kit to connect SCNR to built-in (description and data on page 91).

SCNRB (code 12971*)



Flush-fitting electronic speed controller (description and data on page 91).

*Upon stock depletion

Backdraught Shutter



(code 22551-22556-22562-22566-22571-22576)

Galvanized sheet-metal non-return shutter with aluminium fins and return springs to prevent back-draughts or penetration of rain when the unit is turned off.

C 1.5 (code 12966)



Electronic speed controller (description and data on page 91).

Fixed grille (code 22010-22020)



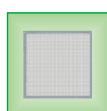
For outside wall.

C 2.5 (code 12967)



Electronic speed controller (description and data on page 91).

Protective Grid (code 51150-51350)



Fine protection mesh for fitting at end of duct.

SCNR5 CA 1 (code 12986 - only for Ø 100-125-150)



5 speed controller, non-reversible (description and data on page 91).

Gravity shutter (code 50150-50250-50350)



For fitting to the delivery side of the extractor to prevent air coming back in when the extractor is switched off.

MODEL	CODE	PRODUCTS
SCNR (electronic speed controller)	12912*	for all products
SCNRB (flush-fitting electronic speed controller)	12971*	for all products
C 1.5 (electronic speed controller)	12966	for all products (except code 16055 - 16065)
C 2.5 (electronic speed controller)	12967	16055 - 16065
SCB Kit (to connect SCNR to built-in)	22481	for 12912 - 12966 - 12967
SCB5 (to connect SCNR to built-in)	22483	12986
Lineo-S 100 (backdraught shutter)	22551	16008
Lineo-S 125 (backdraught shutter)	22556	16018
Lineo-S 150 (backdraught shutter)	22562	16028
Lineo-S 200 (backdraught shutter)	22566	16035 - 16045
Lineo-S 250 (backdraught shutter)	22571	16055
Lineo-S 315 (backdraught shutter)	22576	16065
GFI 10 (fixed grille)	22010	16008
GFI 12/15 (fixed grille)	22020	16018 - 16028
TRA 250 (protective grid)	51150	16035 - 16045 - 16055
TRA 350 (protective grid)	51350	16065
PGR 250 (gravity shutter)	50150	16035
PGR 300 (gravity shutter)	50250	16055
PGR 350 (gravity shutter)	50350	16065

* Upon stock depletion